



eFun Pad



Desktop &
Wall-mount
Design



Build-in
speaker



Android
build-in



WiFi
Wireless



Waterproof



Safe &
Protective



Hanshin International Ltd.
304, Shun Fat Ind. Bldg., 17 Wang Hoi Rd, Kowloon Bay, Hong Kong

Tel: +852 3998 3163
Email: info@hanshingroup.com
Website: www.hanshingroup.com

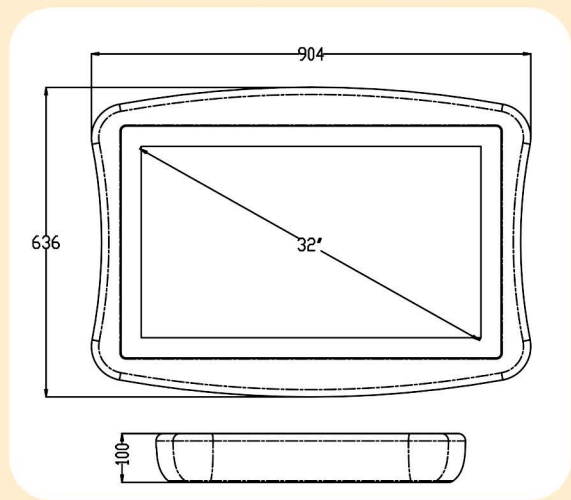




Product Specification

Group learning makes groups more interactive and enhances participants' creativity and communication skills. eFun Pad is a powerful tool which facilitates learning with small group collaboration.

The multi-touch function supports more than 4 users to interact at the same time. The 32" LED touch screen is an ideal size to enjoy and collaborate. Wall mount design reduce neck tension of participants.



32" eFun Pad

Size	32" FHD LED	Wireless Connection	WIFI 802.11 b/g/n/ac 2.4G/5G Bluetooth 4.1
Multi-Touch Detection	10 Touch Detection (Finger Touch)	Operation System	Android 7.1 up
Touch Technology	Capacitive Touch	CPU	RK3399, Hexa Core 2.0Ghz High performance CPU (Dual core Cortex-A72, up to 2.0GHz + Quad core Cortex-A53, up to 1.5GHz)
Plastic Housing	LLDPE Plastic	Memory (RAM)	DDR4 4GB
Panel	904 (L) x 636 (W) x 100 (H) mm	Memory Storage	16 GB Nand Flash
Weight	21 KG	Power Consumption	60 W, DC19V5A
Speaker	10 W	Operating Temperature	10°C to 35°C
Interface	USB Port x 1	Certificates	FCC, CE, RoHS