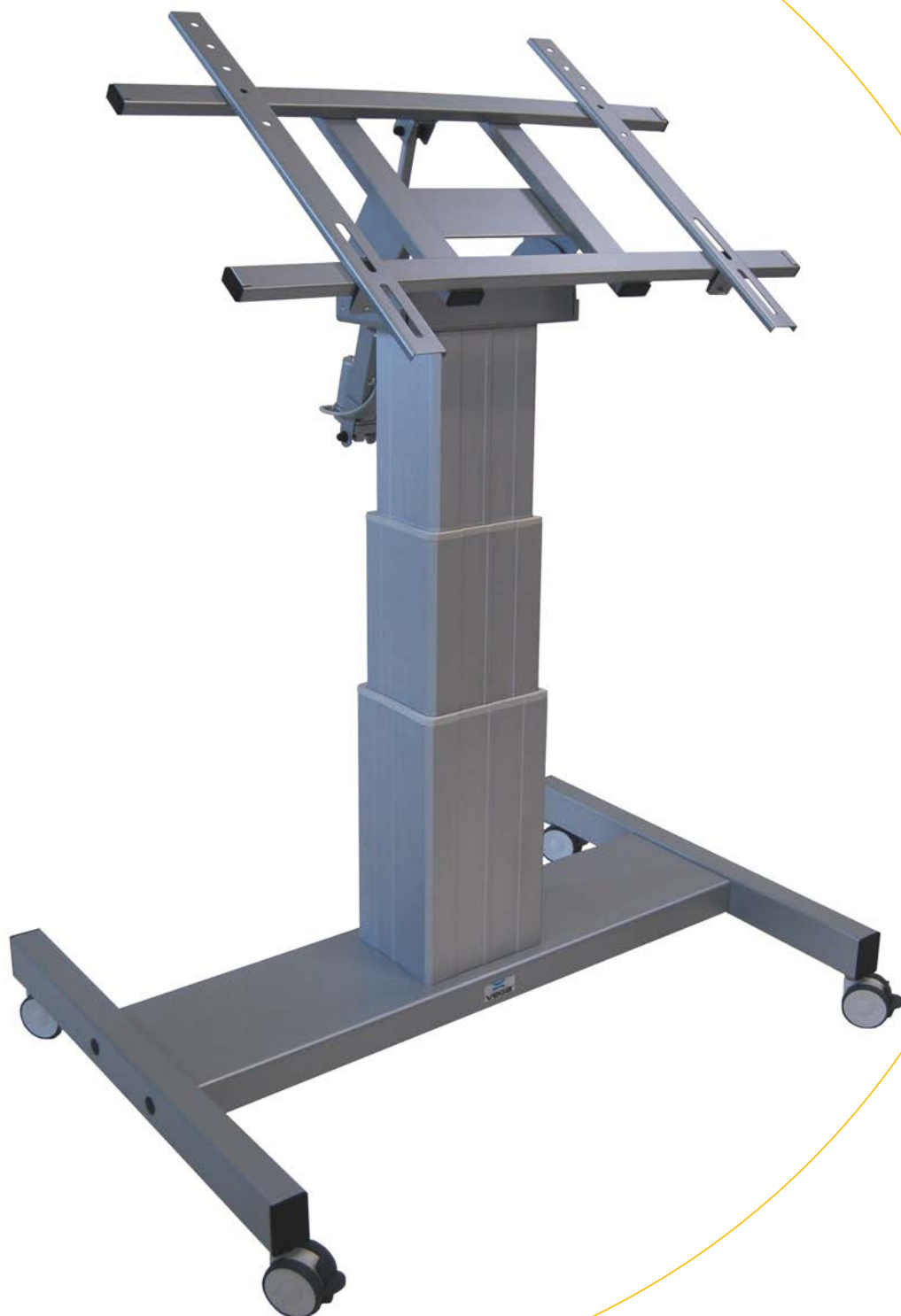




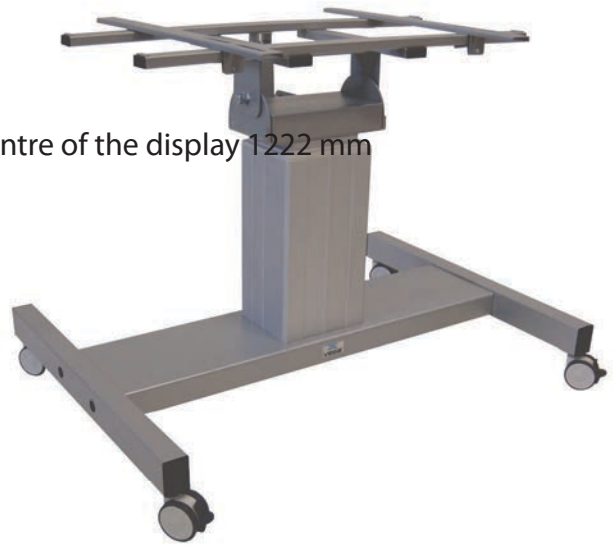
Stand ST 200 T

Vega stand ST 200 T is an electric driven mobile stand for touch screens and displays alike. Together with a touch screen it enables an interactive easel, table, or whiteboard. Transforming the Vega stand ST 200 T from one mode to another couldn't be easier. Everything is controlled at the touch of a button via single wired remote control. Our stand is also suitable for a group of young children as well as for disabled persons since its smart design enables access from different angles. These features make it ideally suited for kindergartens and schools as well as for offices and conference rooms.

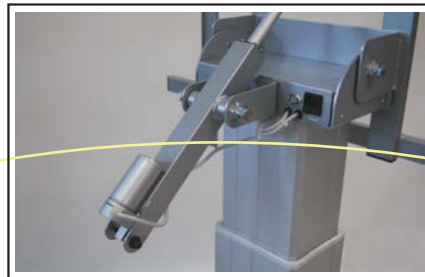


Stand ST 200 T specifications

- Column height adjustment: 500 mm
- Tilting: 90° - electric driven
- Maximum load: 90 kg
- Height of display: lowest horizontal position 935 mm
- Height of display: highest vertical position bottom - centre of the display 1222 mm
- Recommended display size: up to 84"
- Speed at full load (height): 10mm/s
- Speed at full load (tilt): 3,5mm/s
- Overload protection is integrated in a Control Box
- Limit switch: Build-in
- VESA standards: 50 - 800 x 200 - 600
- Four 75 mm wheels all with brakes
- Color: silver
- Weight: 50 kg
- Warranty: 2 years



Stand ST 200 T details



Electric driven tilt



Four wheels with brake



Wired remote control